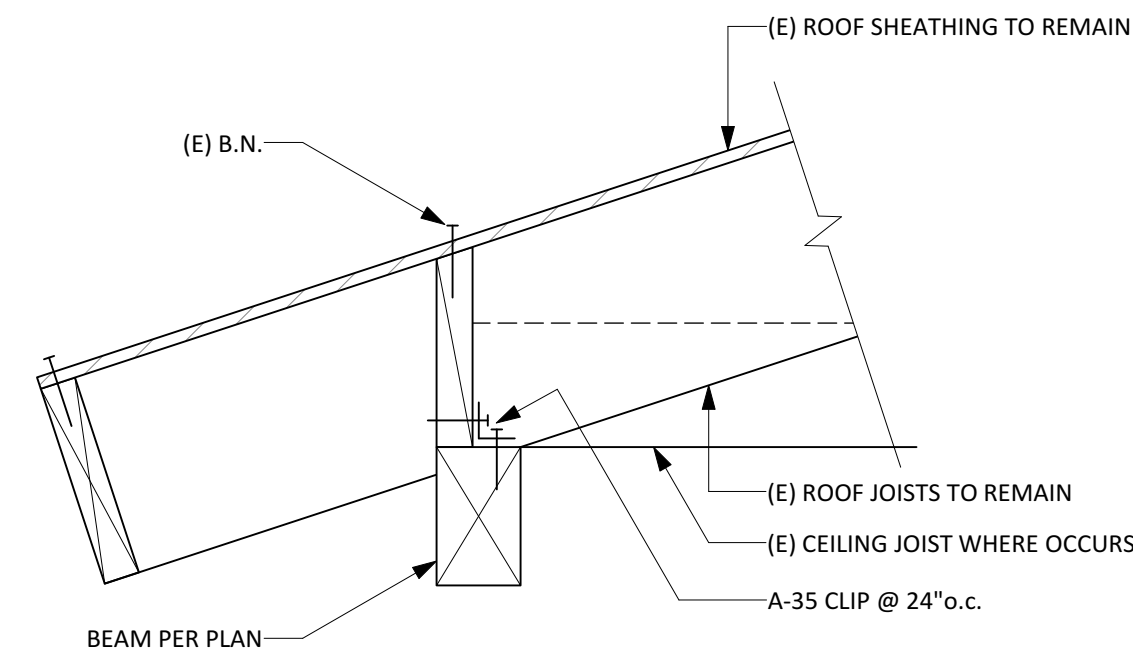


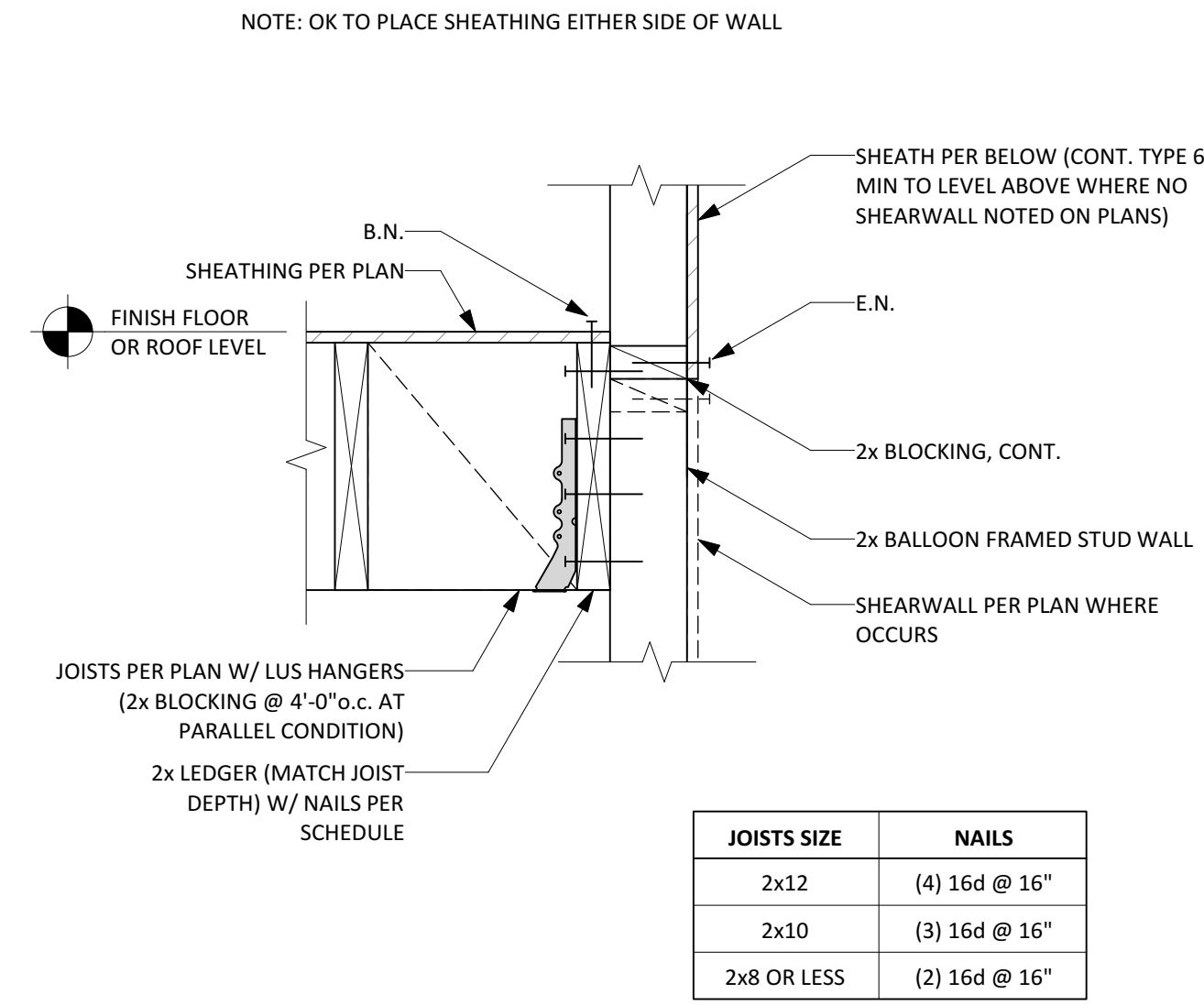
10

7

2x ROOF FRAMING

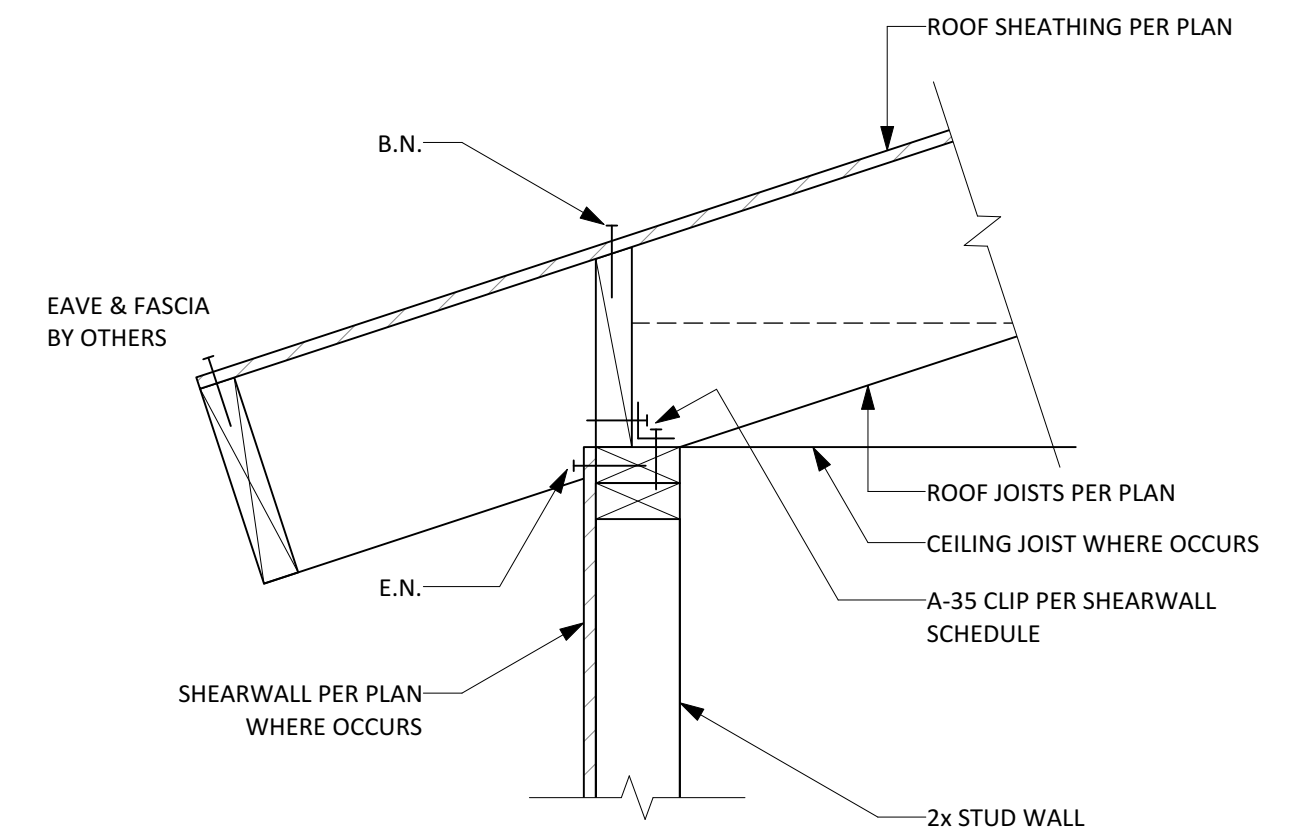


4



1

2x ROOF FRAMING

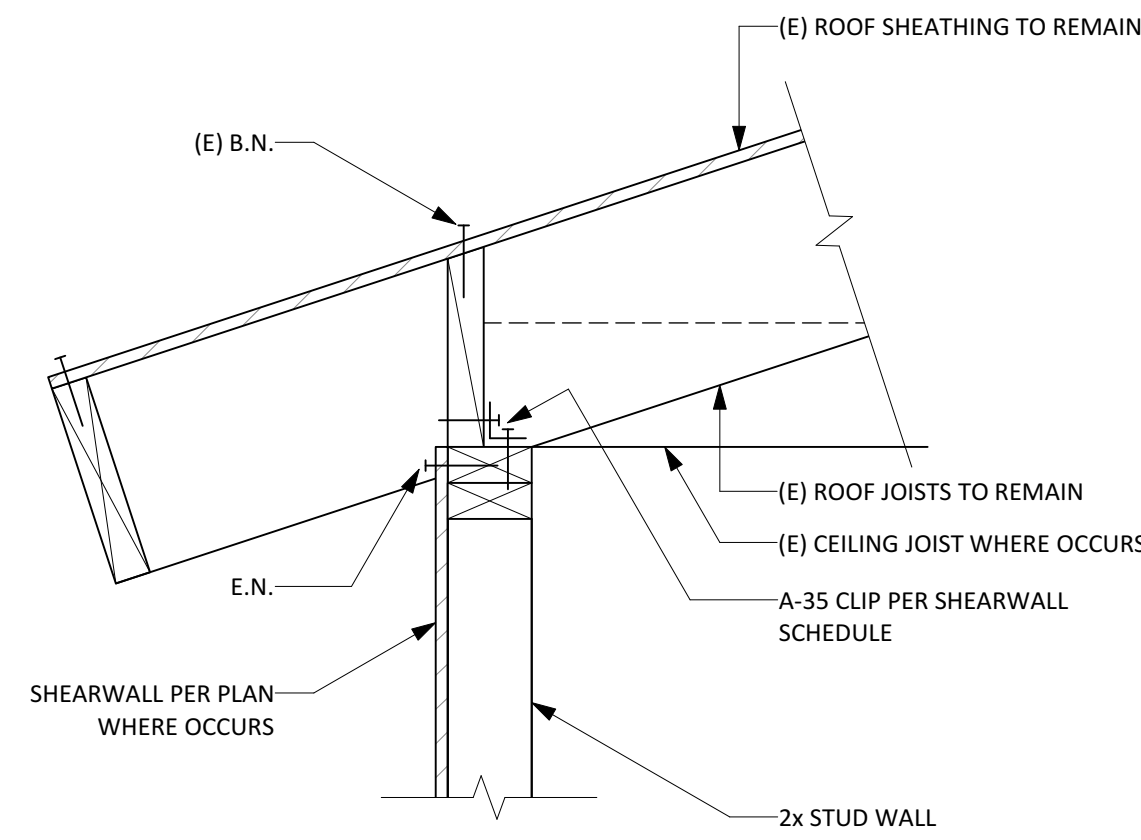


11

8

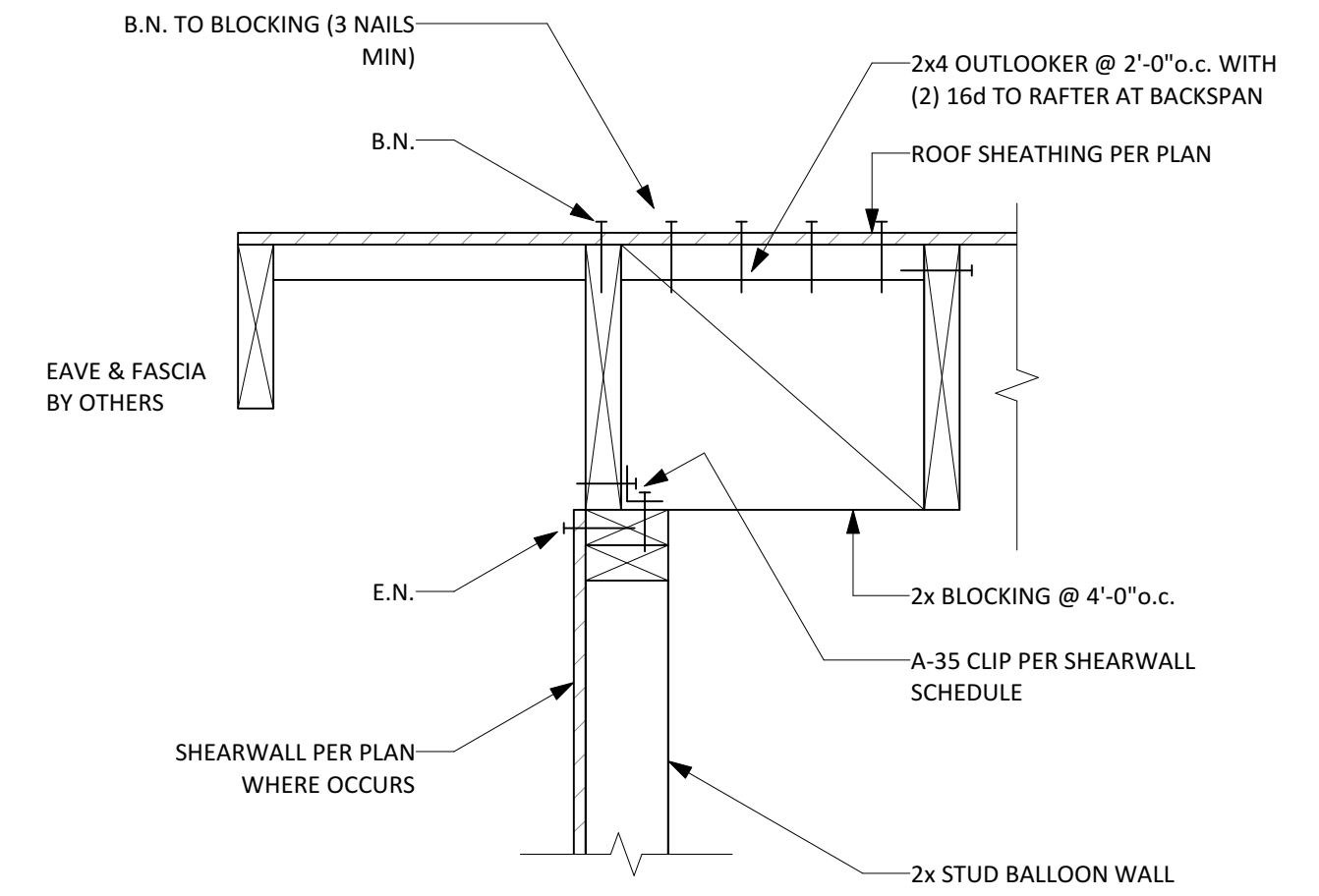
5

2x ROOF FRAMING



2

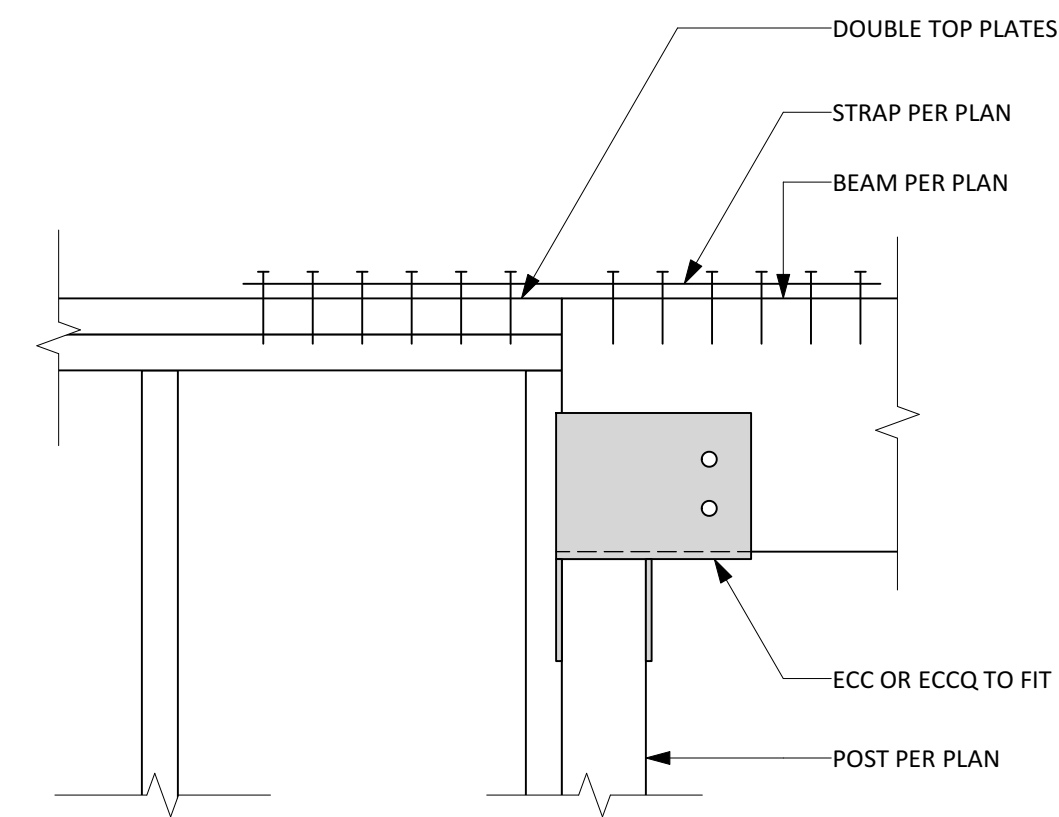
TYPICAL GABLE FRAMING



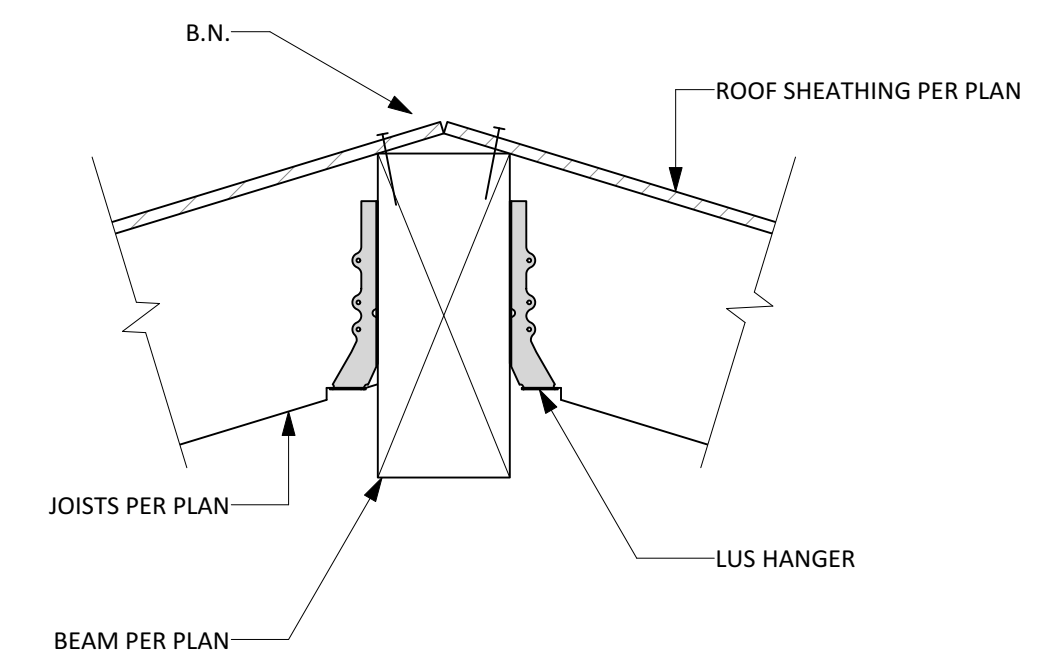
12

9

6



3



Revisions:

△	Date

Date: 7/17/21

Scale:

Project No: 21.070

Sheet: