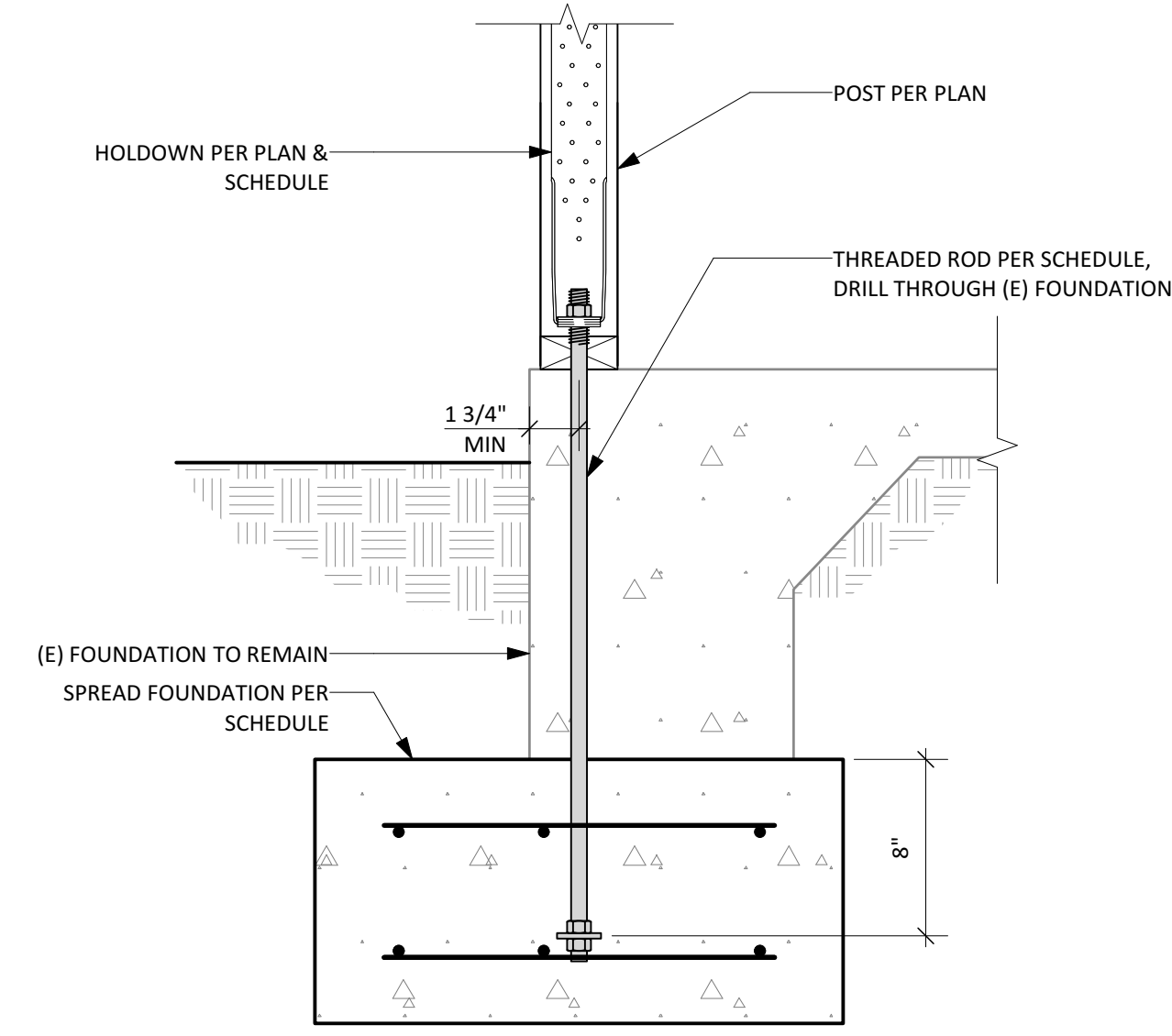


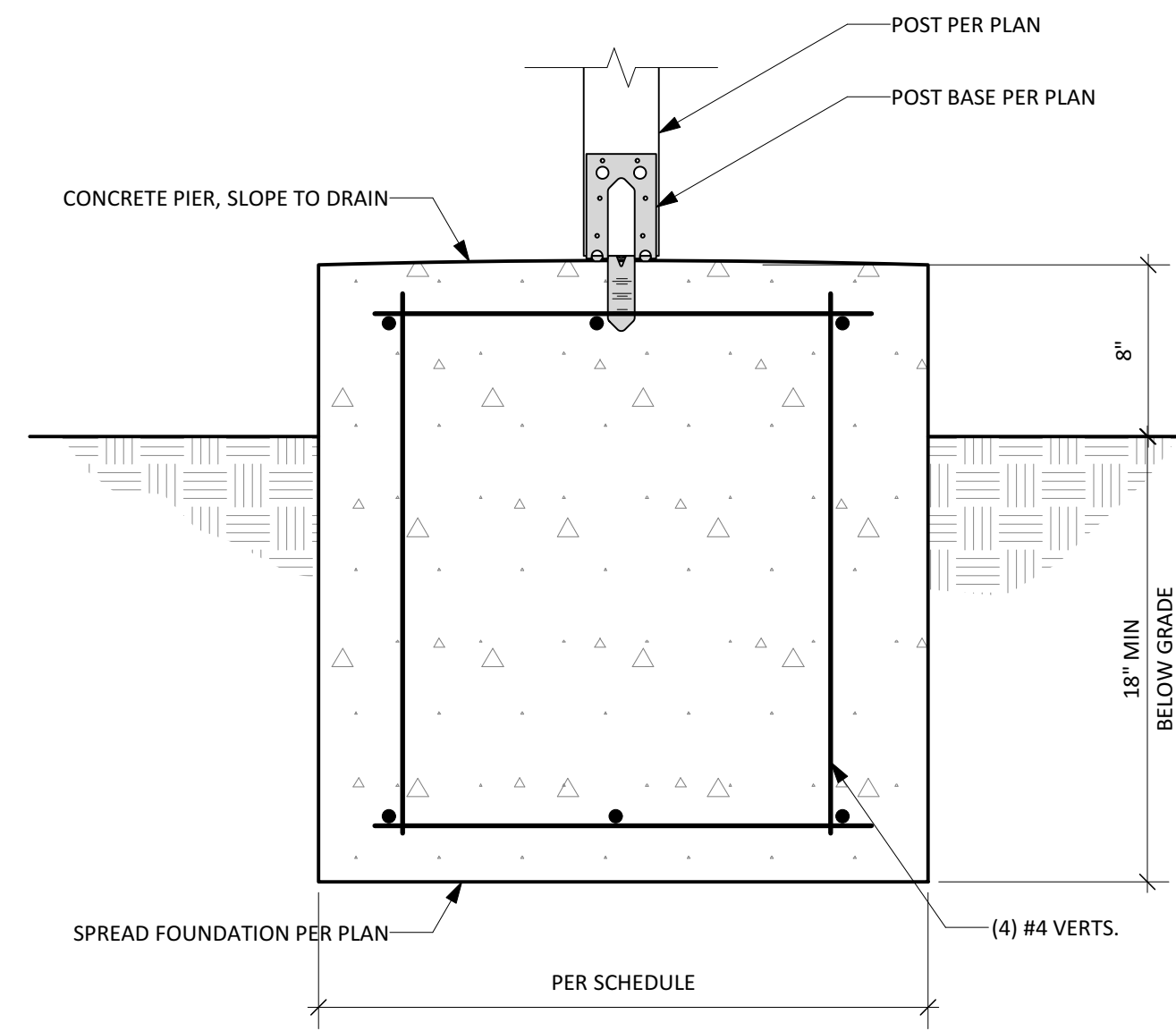
10

7



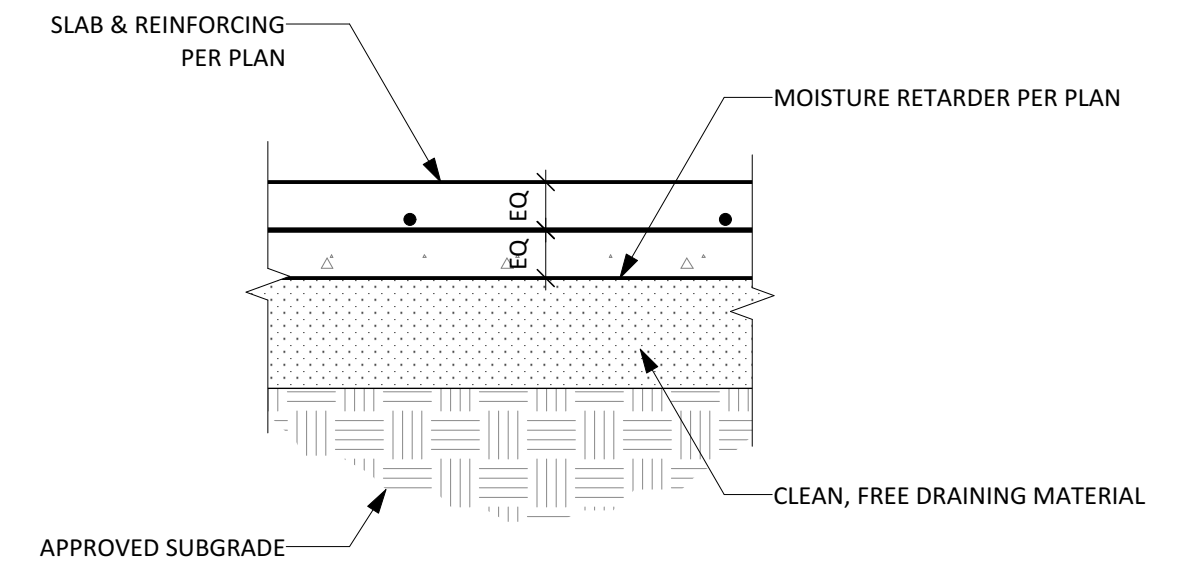
4

ISOLATED PIER FOUNDATION



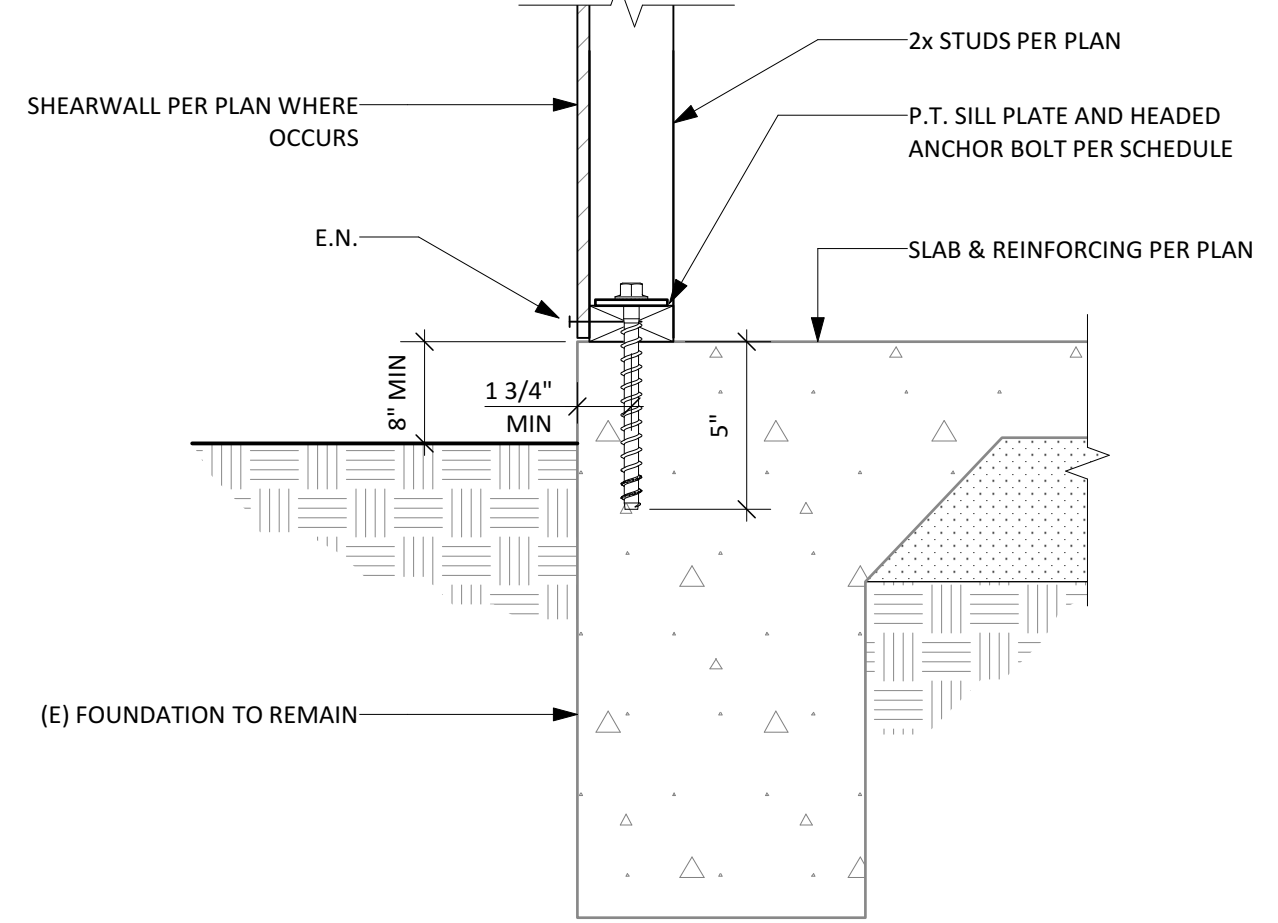
1

CONCRETE SLAB ON GRADE



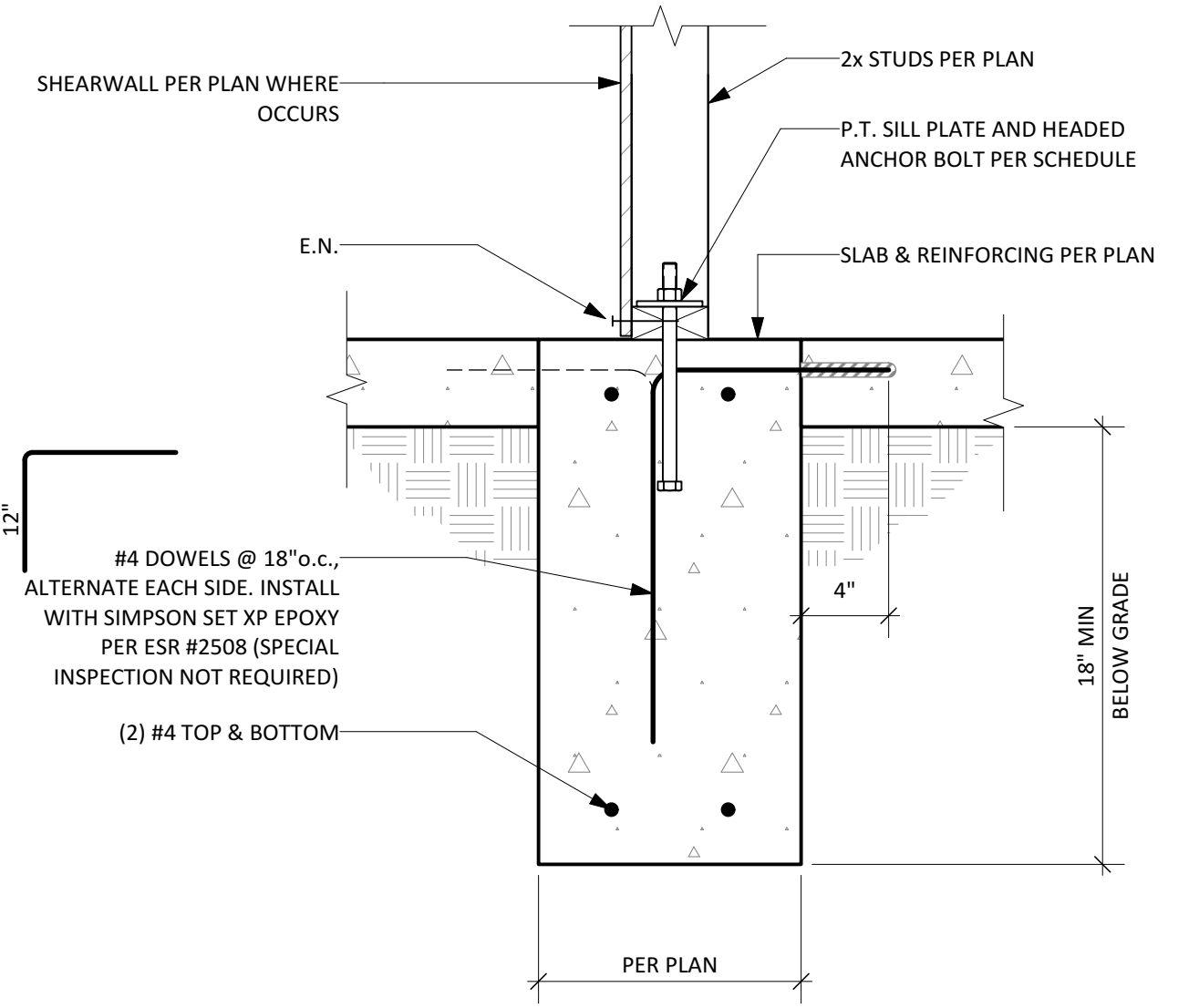
11

8



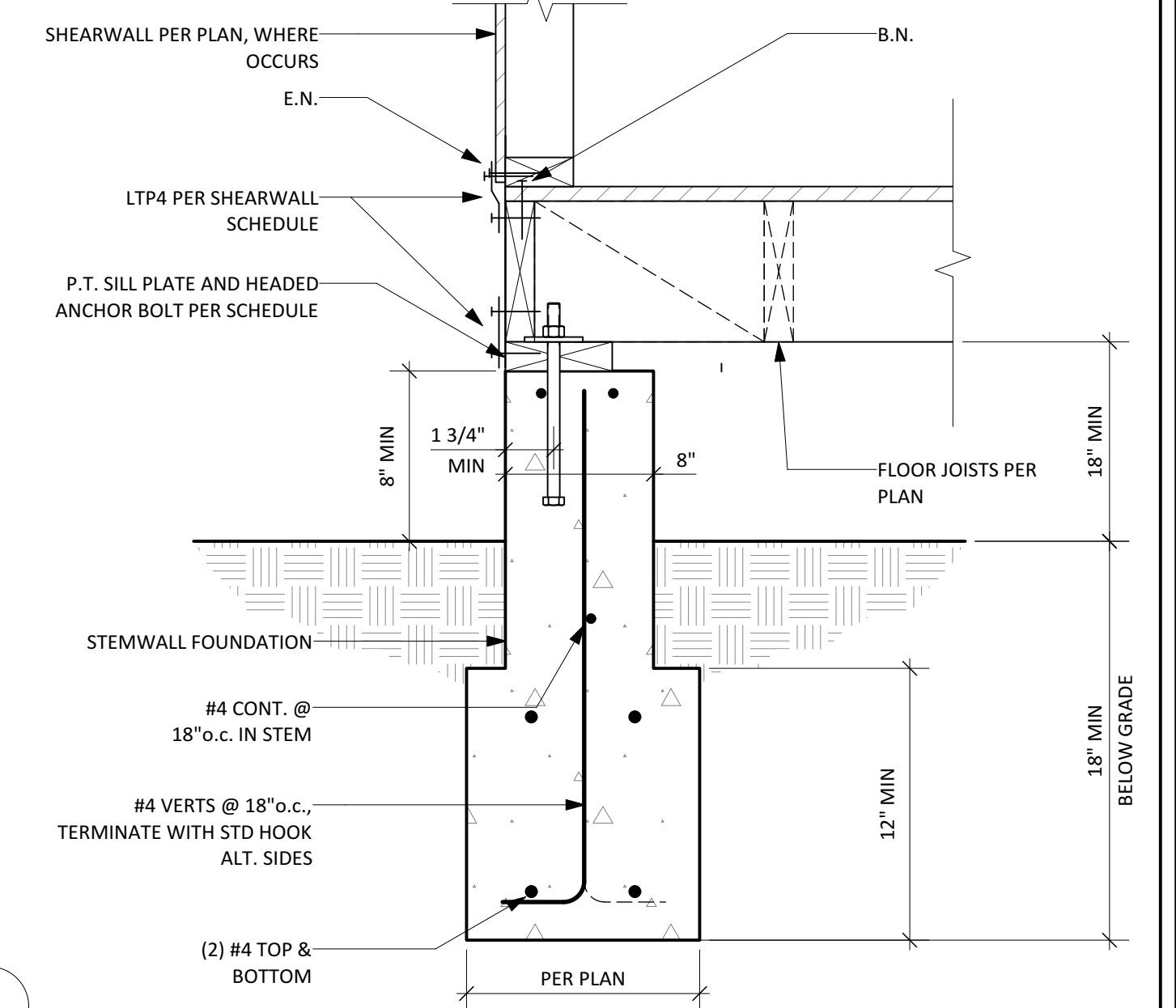
5

(N) TO (E) FOUNDATION



2

(N) TO (E) FOUNDATION



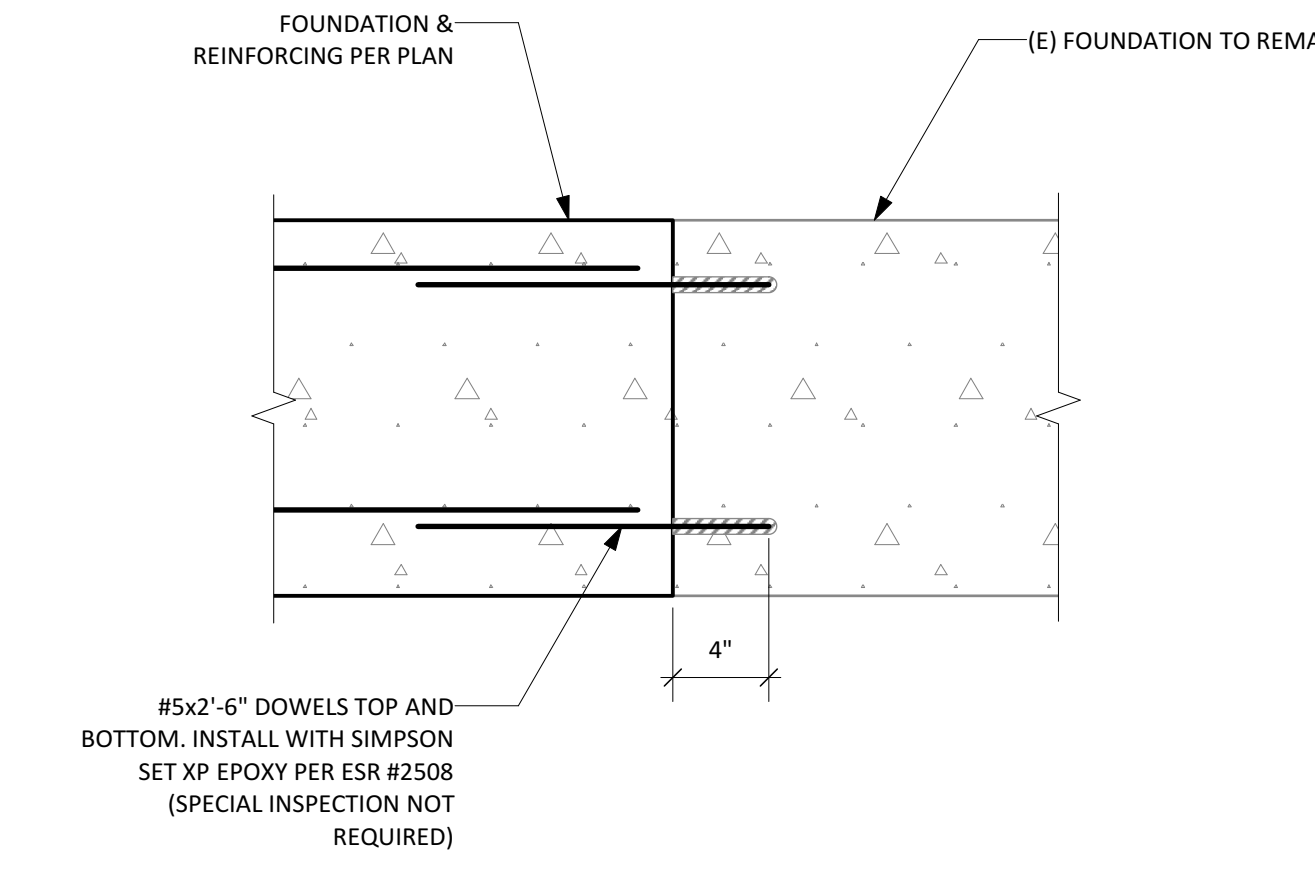
12

9



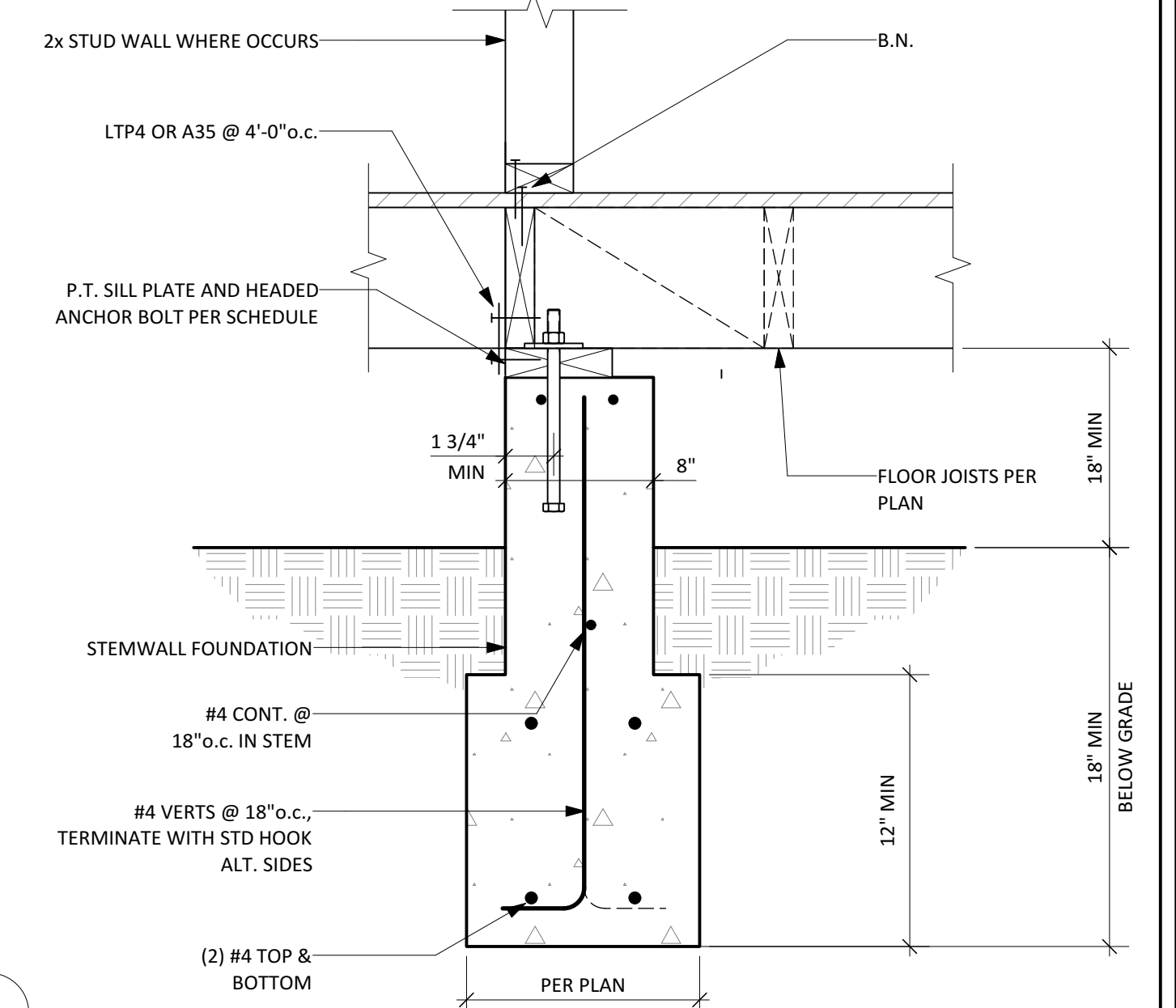
6

(N) TO (E) FOUNDATION



3

(N) TO (E) FOUNDATION



Revisions:

△	Date

Date: 7/17/21
 Scale:
 Project No: 21.070
 Sheet: